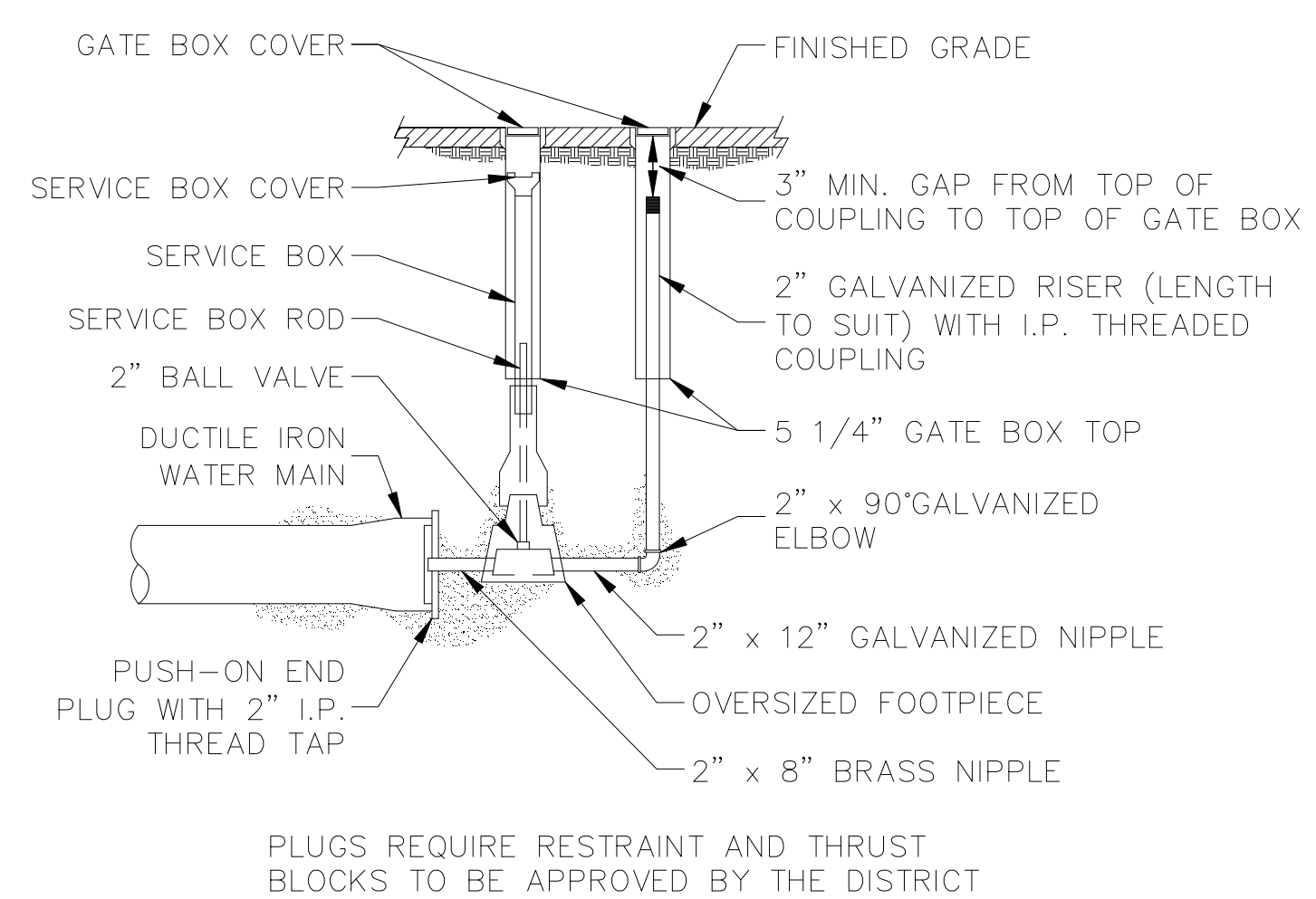


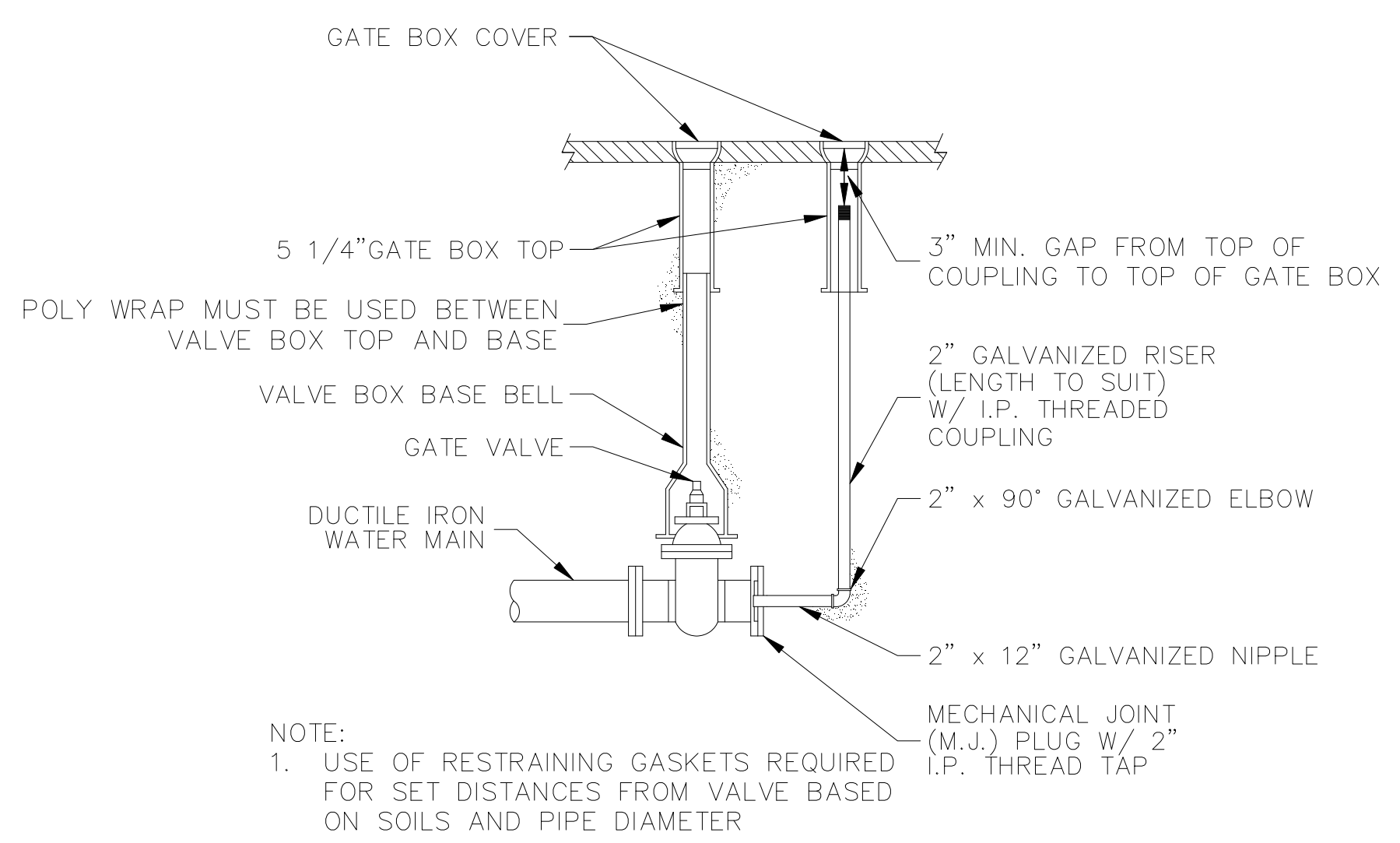
MAIN SIZE	A	B	C
4", 6", & 8"	2' 0"	9' 0"	5'-0"
10" & 12"	2' 0"	10' 0"	5' 0"
16"	2' 0"	11' 0"	6' 0"

NOTE:  
 1. EXCAVATION DEPTH TO BE 1' BELOW BOTTOM OF MAIN  
 2. LARGER THAN 16" TO BE ENGINEERED WITH TAPPING CONTRACTOR

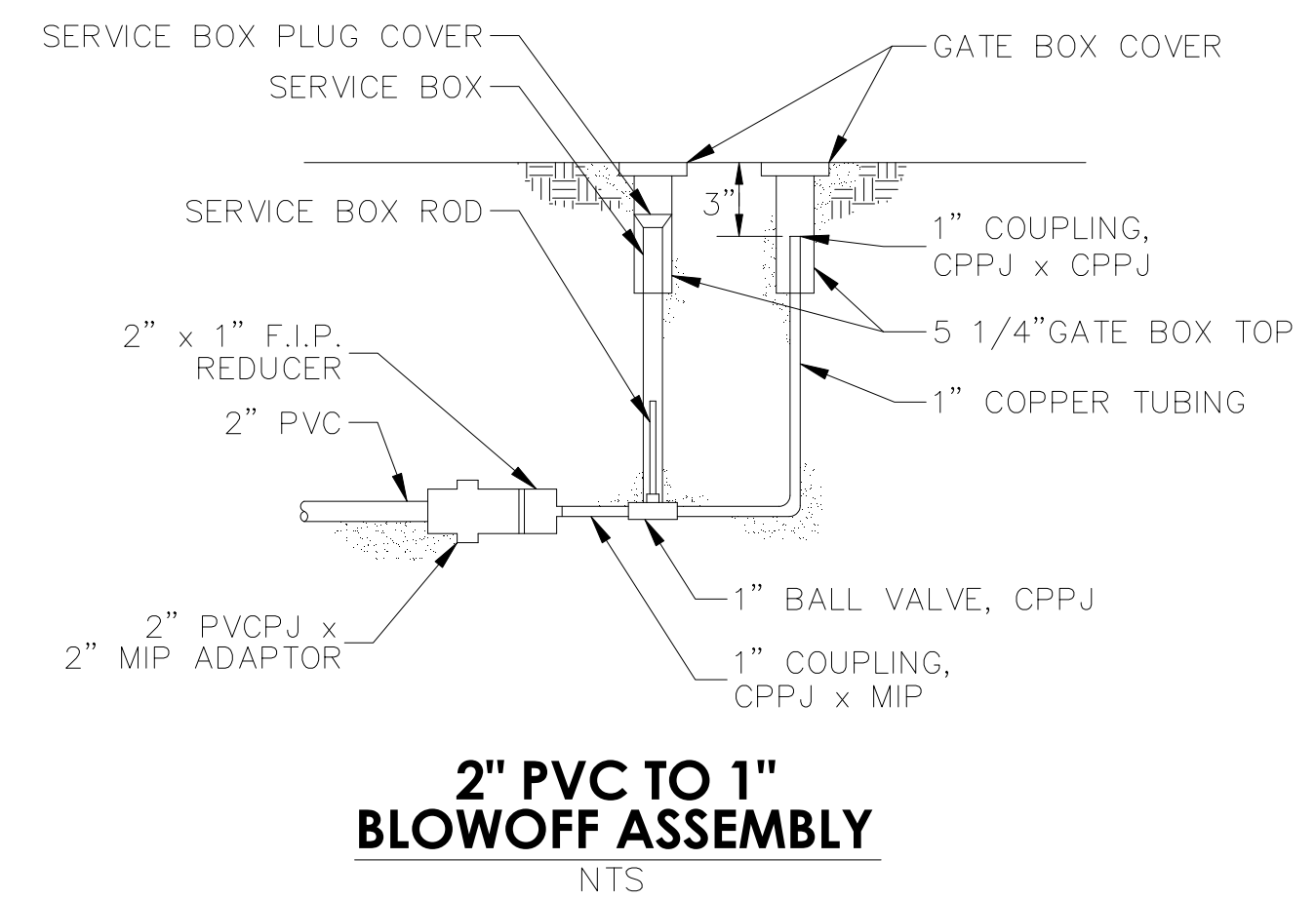
**EXCAVATION DIMENSIONS TAPPING SLEEVES AND VALVES**  
 NTS



**BLOWOFF ASSEMBLY**  
 NTS



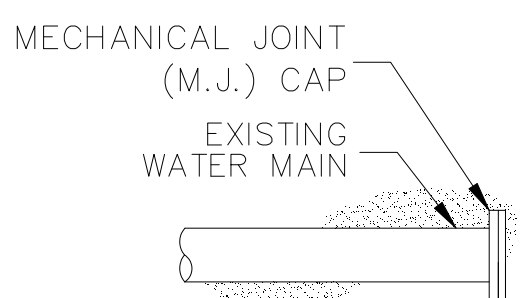
**M.J. PLUG TO 2" BLOWOFF ASSEMBLY**  
 NTS



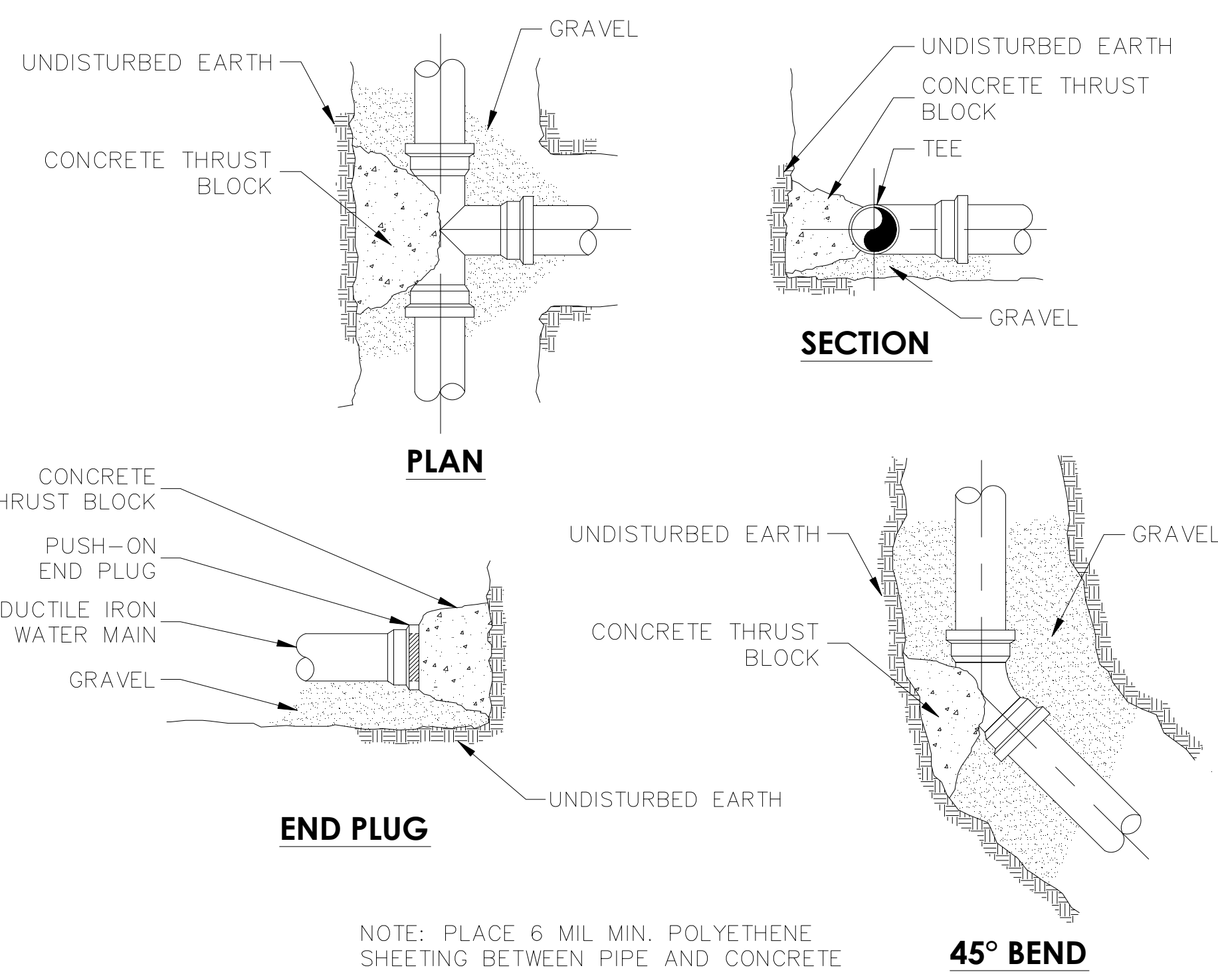
**2" PVC TO 1" BLOWOFF ASSEMBLY**  
 NTS

CONCRETE THRUST BLOCK SIZE REQUIREMENTS				
FITTINGS	SQ. FT. OF BEARING ON UNDISTURBED SOIL			
	90°BENDS	45°BENDS	TEES AND PLUGS	
PIPE SIZE	6"	4.0	2.0	3.0
	8"	8.0	4.0	6.0
	12"	15	9	12
	16"	26	14	19
	20"	40	22	28

BASED ON SOIL BEARING PRESSURE OF 2000PSF AND 100PSI LINE PRESSURE. COMPACT COURSE TO FINE SANDS AND CLAYS REQUIRE ENGINEERED BLOCKS. ENGINEERED BLOCKS WILL TYPICALLY REQUIRE REINFORCING STEEL OF #5 AT 12".



**CUT & CAP WATER MAIN**  
 NTS



**THRUST BLOCK DETAIL**  
 NTS

NOTE: PLACE 6 MIL MIN. POLYETHENE SHEETING BETWEEN PIPE AND CONCRETE

DRAWN BY: \_\_\_\_\_  
 CHECKED BY: \_\_\_\_\_  
 DATE: \_\_\_\_\_  
 APPROVED BY: \_\_\_\_\_  
 DATE: \_\_\_\_\_  
 PROJECT NO.: \_\_\_\_\_  
 SCALE: \_\_\_\_\_

BRUNSWICK & TOPSHAM  
**WATER DISTRICT**  
 PO BOX 489  
 TOPSHAM, ME 04086



BRUNSWICK AND TOPSHAM  
 WATER DISTRICT  
 TOPSHAM, ME  
**DETAILS**